

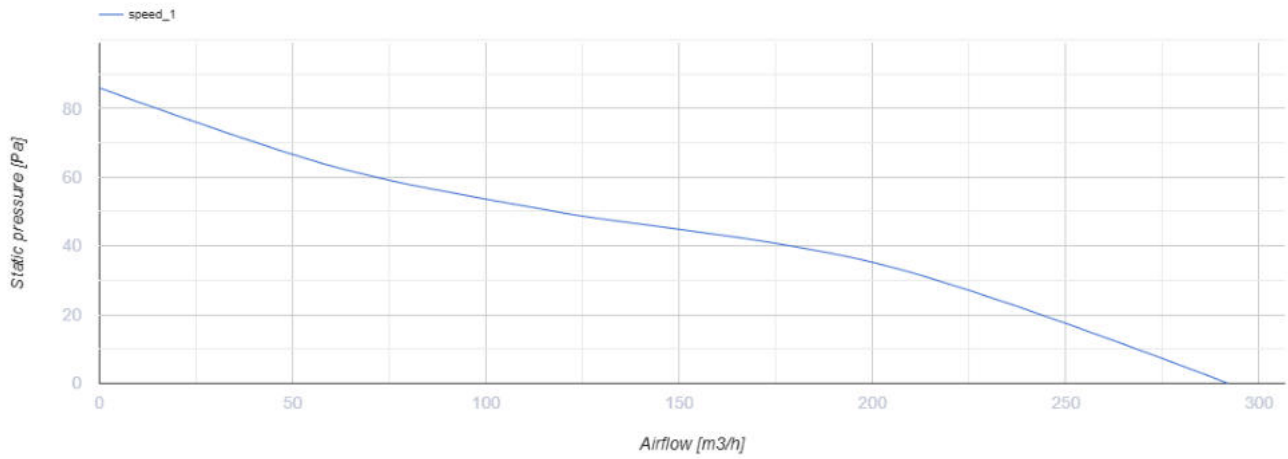
150 D



Axial extract fans with thin front panels

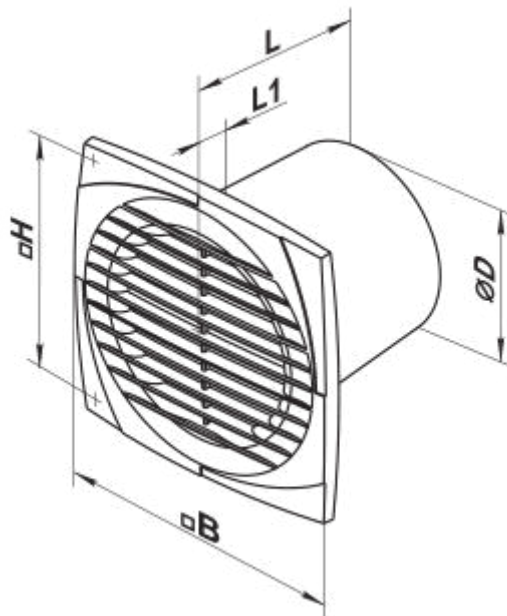
- Sound pressure level LpA at 3 m: 38
- Motor type: AC
- Casing material: Plastic
- Humidity sensor
- Timer: Turn off timer

	Unit of measurement	150 D
Minimum supply voltage	V	220
Maximum supply voltage	V	240
Power supply frequency	Hz	50
Rated power	W	24
Unit current	A	0.13
Maximum airflow	m ³ /h	292
Sound pressure level LpA at 3 m	dB(A)	38
Weight	kg	0.92
Ambient air temperature min	°C	1
Ambient air temperature max	°C	40
Ingress protection rating	-	IP34
Impeller material	-	Plastic



Dimensions

ØD	B	H	L	L1
150	205	165	132	13



Accessories

Accessories for roof fans

Name	Photo	Description
KO 150		Back valve is designed for domestic fan series VENTS M, M1, D, S, M3, X, X1, LD, LD Fresh time, Silenta-M, Silenta-S, Modern, Vitro star, Z star, X star

[FO_150](#)



The window flange applicable for all VENTS fans except for VKO, VKO1, iFan, Quiet, MAO, CF

Ecodesign

Trademark	Vents					
Model	150 D					
Specific energy consumption (SEC) (kWh/(m ² /a))	Cold		Average		Warm	
	-31	B	-14.6	E	-5.2	F
Type of ventilation unit	Unidirectional					
Type of drive installed	Single speed					
Type of heat recovery system	None					
Maximum flow rate (m ³ /h)	292					
Electric power input (W)	24					
Reference flow rate (m ³ /s)	0.057					
Specific power input (SPI) (W/(m ³ /h))	0.082					
Control typology	Manual control					
Maximum external leakage rates (%)	2.7					
Declared typology	RVU UVU					
Sound power level (dB(A))	58					
The annual electricity consumption (AEC) (kWh/a)	Cold		Average		Warm	
	103		103		103	
The annual heating saved (AHS) (kWh/a)	Cold		Average		Warm	
	3355		1715		776	